

SKU: OM100024-B

Order No.: --

Date: --

RETAINER CASE: BPA-FREE MATT FINISH SURFACE

RETAINER CASE
CMYK / PMS COLOUR

SCREEN PRINT
CMYK / PMS COLOUR

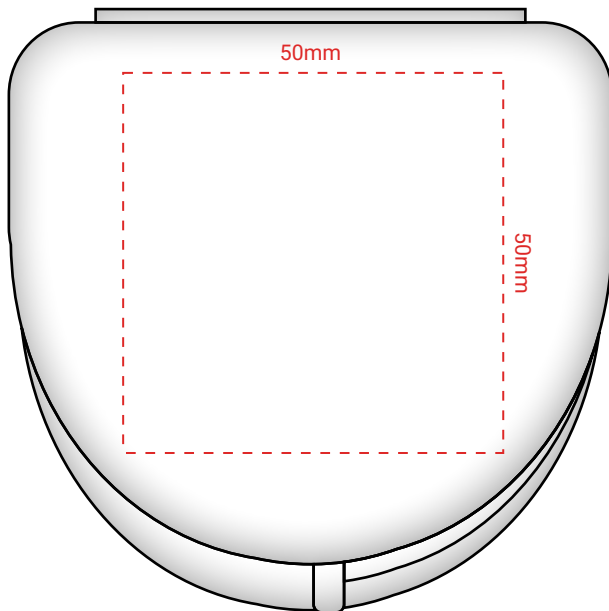
BRANDING PROCESS:

Top Lid: Screen Print – 1 or more colours (PMS)

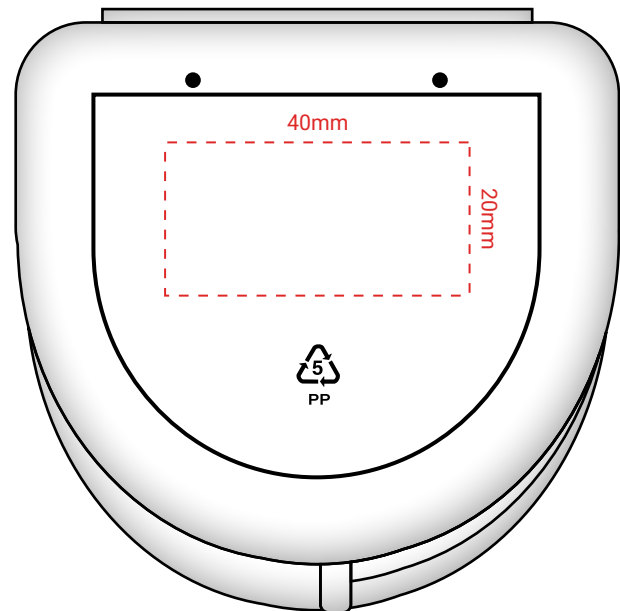
Base: Screen Print – 1 or more colours (PMS)

Back Hinge: "Made in China" Sticker

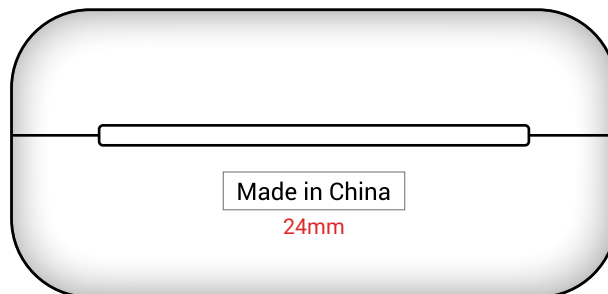
TOP LID



BASE



BACK HINGE



Import laws require "Made in China" label on each individual item.

Colour Disclaimer: Pantone PMS colours are matched as closely as possible. Exact matches are not guaranteed. Colours on digital proofs/mockups may vary from the final product. Approval of proof accepts these potential variations.